

APPLY "INTRODUCTION OF DISINFECTANTS" WARNING LABELS AT EACH TOILET & DRAIN LEADING TO THE SEWAGE SYSTEM.

NOTES:

- CRITICAL HEIGHTS:**
 1. CENTERLINE OF SOIL LINE TRAP INLET TO BE NOT LESS THAN 12 INCHES HIGHER THAN CENTERLINE OF MEDIA TANK INLET FLANGE.
- GRAVITY FLOW PIPING:**
 2. GRAVITY SOIL PIPING LEADING TO MEDIA TANK TO SLOPE NOT LESS THAN 1/4 INCH PER 12 INCHES AND BE EQUIPPED WITH PROPERLY VENTED TRAP AS SHOWN.
 3. TRAP DEPTH AND TRAP VENT SHOWN FOR 4 INCH SOIL PIPE AND 2 INCH VENT PIPE.
- MEDIA TANK VENT PIPING:**
 4. DO NOT COMBINE MEDIA TANK VENT WITH ANY OTHER VENT.
 5. VENT TO TERMINATE NOT LESS THAN 10 FEET ABOVE WEATHER DECK, FROM ANY SOURCE OF IGNITION AND FROM ANY VENTILATION AIR INLET.
 6. VENT TO TERMINATE HIGH RATHER THAN LOW, SINCE VENTED AIR IS WARMER THAN SURROUNDING AIR AND WILL RISE.
 7. HORIZONTAL OFFSETS IN MEDIA TANK VENT MUST BE SLOPED NOT LESS THAN 1/2 INCH PER 12 INCHES SO THAT CONDENSATE WILL DRAIN TO MEDIA TANK.
 8. FLAME SCREEN IS NOT RECOMMENDED, IT WILL PLUG WITH LINT AND REQUIRE FREQUENT CLEANING. IF A FLAME SCREEN MUST BE USED, SCREEN TO BE TWO PIPE SIZES LARGER THAN VENT PIPE.
- EMERGENCY BYPASS DISCHARGE:**
 9. AN EMERGENCY BYPASS DISCHARGE IS REQUIRED TO PROVIDE THE USE OF SANITARY FACILITIES IN CASE OF EQUIPMENT MALFUNCTION.
 10. MOUNT SEWAGE INLET AND EMERGENCY BYPASS GATE VALVES WITH STEMS IN AN UPRIGHT VERTICAL POSITION.
- MAINTENANCE AND CLEARANCE REQUIREMENTS:**
 11. ALLOW AT LEAST 30 INCHES CLEARANCE ABOVE MEDIA TANK COVER TO VENT SPOLL FLANGED CONNECTION TO PERMIT REMOVAL OF COVER FOR INTERNAL REPAIR.
 12. ALLOW AT LEAST 12 INCHES CLEARANCE ABOVE CHLORINE TABLET REFILL TUBES FOR TUBE REMOVAL.
- GENERAL PIPING REQUIREMENTS:**
 13. CONNECTING PIPING AND INSTALLATION SHALL BE IN ACCORDANCE WITH REQUIREMENTS OF APPLICABLE REGULATORY BODIES.
 14. RECOMMENDED MATERIAL IS SCHEDULE 40 STEEL.

LEGEND:

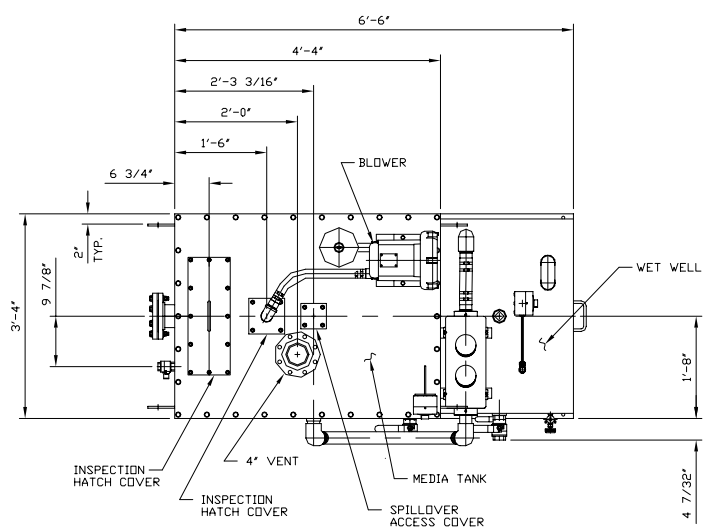
- CUSTOMER PIPING
- SCIENCO/FAST PIPING
- INSTRUMENT AIR
- NORMALLY OPEN
- NORMALLY CLOSED
- FLANGED CONNECTION
- REDUCER
- AIR FILTER
- (C) CUSTOMER SUPPLIED VALVE
- (LG) LEVEL GAUGE
- (V) GATE VALVE- FLANGED
- (V) BALL VALVE- SCREWED

NOTE: DRAWING DEPICTS SYSTEM IN NORMAL RUN POSITION.

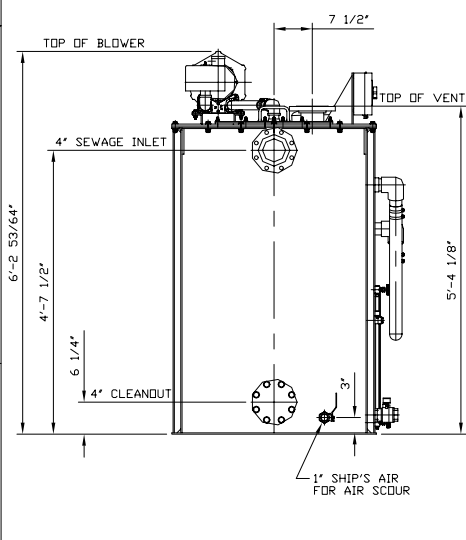
VALVE NO.	VALVE FUNCTION	OPERATING POSITION		
		RUN	SCOUR	DRAIN
V1	AIR SCOUR	CLOSED	OPEN	OPEN
V2	MEDIA TANK DRAIN	CLOSED	OPEN	OPEN
V3	WET WELL DRAIN	CLOSED	OPEN	OPEN
V4	SAMPLE POINT	CLOSED		

MOTOR CALLOUT	HP	OPERATING POSITION	
		RUN	SCOUR DRAIN
BLOWER PUMP	3/4	ON	OFF
	1/3	ON	OFF

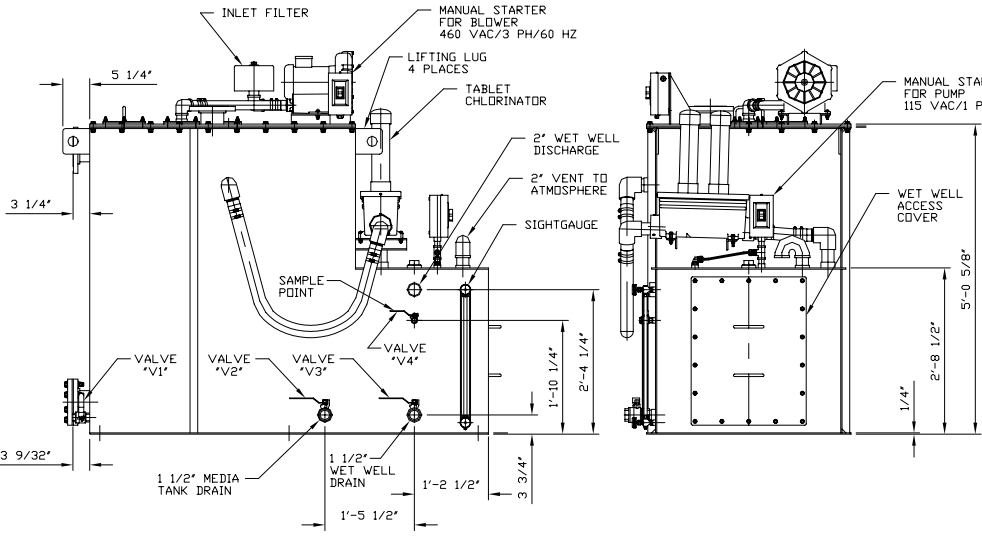
REV	DESCRIPTION	BY	DATE
<p>SCIENCO/FAST® 8229 BRENTWOOD INDUSTRIAL DRIVE BRENTWOOD, MO. 63144-2814 U.S.A. PHONE: 314-645-6540 FAX: 314-645-6131</p>			
THIS DRAWING AND INFORMATION CONTAINED THEREIN IS THE PROPERTY OF SCIENCO/FAST SYSTEMS AND IS LOANED WITH THE EXPRESSED AGREEMENT THAT IT WILL NOT BE REPRODUCED, COPIED, OR OTHERWISE DISTRIBUTED, DIRECTLY OR INDIRECTLY, AND WILL NOT BE USED IN WHOLE OR IN PART TO FURNISH ANY INFORMATION FOR THE MANUFACTURING OF EQUIPMENT OR APPARATUS WITHOUT WRITTEN PERMISSION OF SCIENCO/FAST SYSTEMS FIRST OBTAINED AND SPECIFIC TO EACH CASE.			
SYSTEM		FAST SEWAGE TREATMENT	
CUSTOMER		CSX LINES, LLC	
TITLE			
SYSTEM PIPING DIAGRAM & INSTALLATION DATA			
SCALE	NONE	DRAWN	JCU
SIZE	NEXT ASSY.	CHECKED	PREV. ASSY.
D		PLOT SCALE	DATE
		1:1	10/15/01
CONTRACT NO.	MODEL NO.	DRAWING NO.	SHEET NO.
J-1228	MX4	CU000	1 of 1
			REV
			0



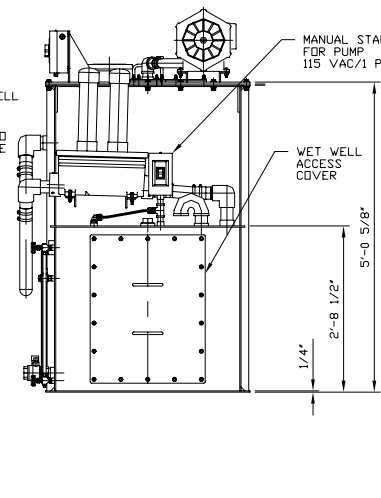
PLAN VIEW



LEFT END VIEW



FRONT ELEVATION

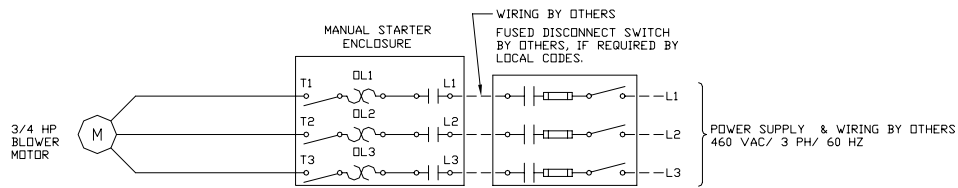


RIGHT END VIEW

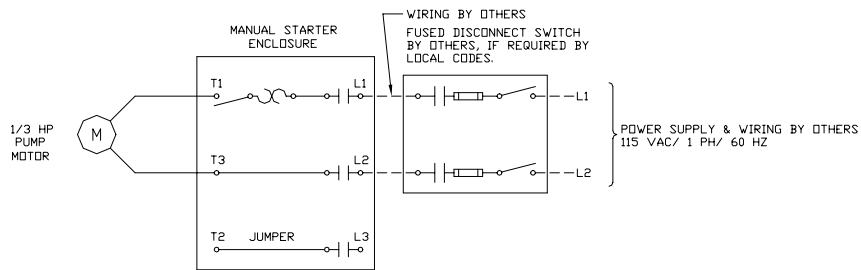
NOTES:

1. TANK MAY BE INSTALLED EITHER FORE AND AFT OR ATHWARTSHIPS.
2. SUPPORT TANK BEDPLATE ALL AROUND ON FLAT SUPPORTING SURFACES NOT LESS THAN 3 INCHES WIDE. SECURE IN PLACE WITH 3/16" FILLET WELDS ALL AROUND, 3 INCHES ON 12 INCHES PER ABS REQUIREMENTS.
3. ESTIMATED WEIGHTS:
SHIPPING: 2,200 LBS.
OPERATING: 7,000 LBS.
4. ALL FLANGED CONNECTIONS ARE 150 LB, RAISED FACE, FORGED STEEL, ASTM A-105
5. SEE DRAWING MX4-CU000 FOR ADDITIONAL INSTALLATION REQUIREMENTS.
6. SEE DRAWING MX4-CU002 FOR TANK SECTIONAL VIEWS.
7. SEE DRAWING MX4-EL500 FOR ELECTRICAL SCHEMATIC DIAGRAM.

REV	DESCRIPTION	BY	DATE
 SCINCO/FAST® 8229 BRENTWOOD INDUSTRIAL DRIVE BRENTWOOD, MD 63144-2814 U.S.A. PHONE: 314-645-6540 FAX: 314-645-6131			
<small>THIS DRAWING AND INFORMATION CONTAINED THEREIN IS THE PROPERTY OF SCINCO/FAST SYSTEMS AND IS LOANED WITH THE EXPRESSED AGREEMENT THAT IT WILL NOT BE REPRODUCED, COPIED, OR OTHERWISE DISTRIBUTED, DIRECTLY OR INDIRECTLY, AND WILL NOT BE USED IN WHOLE OR IN PART, TO FURNISH ANY INFORMATION FOR THE MANUFACTURING OF EQUIPMENT OR APPARATUS WITHOUT WRITTEN PERMISSION OF SCINCO/FAST SYSTEMS FIRST OBTAINED AND SPECIFIC TO EACH CASE.</small>			
SYSTEM		FAST SEWAGE TREATMENT	
CUSTOMER		CSX LINES, LLC	
TITLE			
MX4 TANK INSTALLATION			
SCALE	DRAWN	CHECKED	APPROVED
1"=1'-0"	JCU		
SIZE	PREV. ASSY.	PLOT SCALE	DATE
D		1:1	10/16/01
CONTRACT NO.	MODEL NO.	DRAWING NO.	SHEET NO.
J-1228	MX4	CU001	1 of 1
			REV
			0




BLOWER WIRING DIAGAM



PUMP WIRING DIAGAM

NOTES:

1. FEEDER CABLE, OVERCURRENT PROTECTION AND WIRING OF REMOTE DEVICES BY OTHERS AND TO BE IN ACCORDANCE WITH THE REQUIREMENTS OF APPLICABLE REGULATORY BODIES.

REV	DESCRIPTION	BY	DATE
 SCINCO/FAST® 8229 BRENTWOOD INDUSTRIAL DRIVE BRENTWOOD, MD 63144-2814 U.S.A. PHONE: 314-645-6540 FAX: 314-645-6131			
<small>THIS DRAWING AND INFORMATION CONTAINED THEREIN IS THE PROPERTY OF SCINCO/FAST SYSTEMS AND IS LOANED WITH THE EXPRESSED AGREEMENT THAT IT WILL NOT BE REPRODUCED, COPIED, OR OTHERWISE DISTRIBUTED, DIRECTLY OR INDIRECTLY, AND WILL NOT BE USED IN WHOLE OR IN PART TO FURNISH ANY INFORMATION FOR THE MANUFACTURING OF EQUIPMENT OR APPARATUS WITHOUT WRITTEN PERMISSION OF SCINCO/FAST SYSTEMS FIRST OBTAINED AND SPECIFIC TO EACH CASE.</small>			
SYSTEM		FAST SEWAGE TREATMENT	
CUSTOMER		CSX LINES, LLC	
TITLE			
BLOWER & PUMP WIRING DIAGRAM			
SCALE	DRAWN	CHECKED	APPROVED
NONE	JCU		
SIZE	PREV. ASSY.	PLOT SCALE	DATE
D		1:1	10/17/01
CONTRACT NO.	MODEL NO.	DRAWING NO.	SHEET NO.
J-1228	MX4	EL500	1 of 1
			REV
			0